

ASSEMBLY INSTRUCTIONS

Tom Gilmore
©
DESIGN
COLLECTION

Vector Series - Furniture/Wall Decor

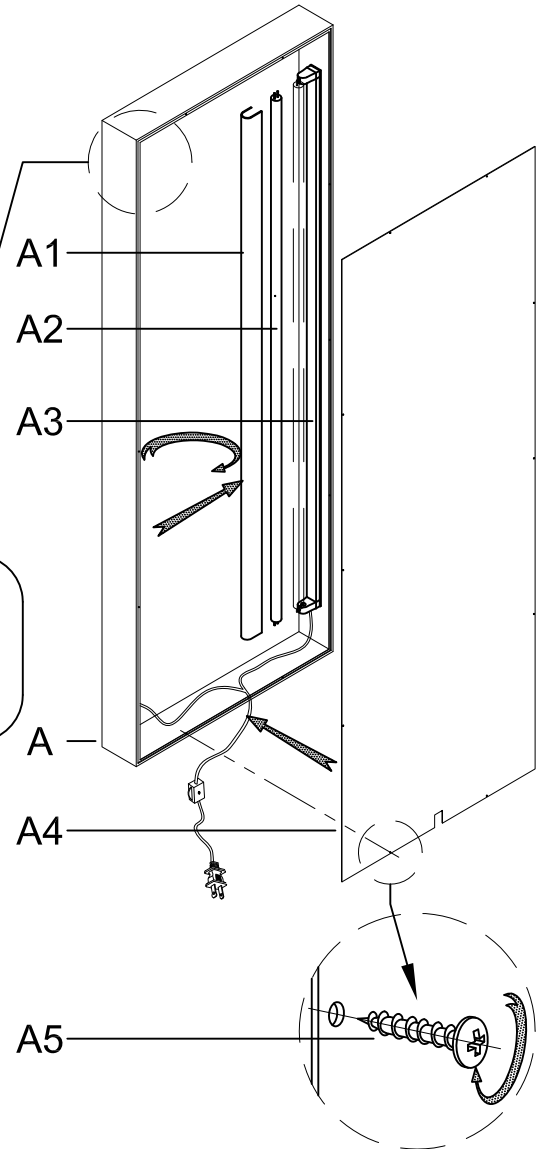
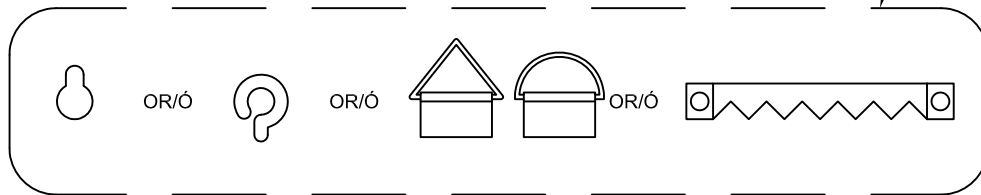
1. Carefully remove all Vector parts from the box.
2. Remove back panel (A4) from base (A) by unscrewing screws (A5).
3. Remove light cover (A1) and install light tube (A2) by sliding pins into ballast (A3) and carefully rotating to lock light tube (A2) in securing it.
4. Replace light cover (A1) onto ballast (A3) and snapping it in securing it.
5. Replace back panel (A4) onto base (A) by screwing in screws (A5).
6. Care Instructions - PLEASE UNPLUG LAMP BEFORE CLEANING.
This piece requires a damp cloth with lukewarm water and light soap, or standard window cleaner, gently wipe off excess with a dry cloth.

AS WALL DECOR

7. Install screw(s) - (NOT INCLUDED) to desired height on wall.
8. Carefully measure and hang base (A) onto desired wall onto screw(s) by capturing the hanger located on the back base (A).
9. Refer to step 6 for care instructions.

IMPORTANT SAFETY INSTRUCTIONS

This lamp has a polarized plug (one blade is wider than the other) as a safety feature to reduce the risk of electric shock. This plug will fit in a polarized outlet only one way. If the plug does not fit fully in the outlet, reverse the plug. If it still does not fit, contact a qualified electrician. Never use with an extension cord unless the plug can be fully inserted. Do not alter the plug.



INSTRUCCIONES DE ENSAMBLE

Series Vector - Muebles/ Decoración de Pared

1. Cuidadosamente remueva de la caja todas las partes de Vector.
2. Quite el panel (A4) de la base (A) destornillando los tornillos (A5).
3. Quite la cubierta (A1) e instale tubo (A2) a balasta (A3) deslizando las agujas a balasta (A3) y cuidadosamente girando el tubo (A2) asegurandola.
4. Instale la cubierta (A1) a la balasta (A3) ajustandola.
5. Instale panel (A4) a base (A) usando tornillos (A5).
6. Instrucciones de cuidado - Esta pieza requiere una tela húmeda con agua tibia y jabón, ó limpiador de ventanas, seque el exceso con una tela seca.

COMO DECORACION DE PARED

7. Instale el tornillo(s) - (NO INCLUIDOS) a la altura deseada de la pared.
8. Cuidadosamente cuelge la base (A) al tornillo(s) capturando los ganchos localizados por detras de la base (A).
9. Referir a instrucción 6 para cuido de esta artículo.

IMPORTANTES INSTRUCCIONES DE SEGURIDAD

Esta lampara tiene un enchufe polarizado (una navaja es mas ancha que la otra) como forma de seguridad para reducir el riesgo de un shock electrico. Este enchufe polarizado entrara en una conexión solo de un lado. Si el enchufe no entra en la conexión trate al reverso. Si aun asi no entra, contacte a un electricista calificado. Nunca use una extension a menos que el enchufe pueda ser conectado completamente. No altere el enchufe.